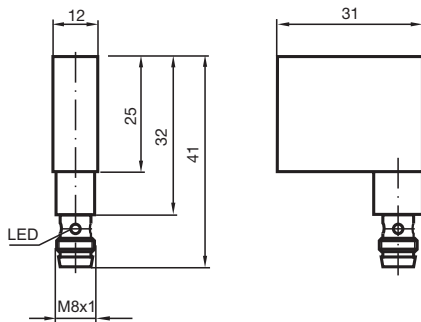


Inductive sensor NJ1,5-F2-E2-V3

■ Comfort series



Dimensions



Technical Data

General specifications

Switching function		Normally open (NO)
Output type		PNP
Rated operating distance	s_n	1.5 mm
Installation		flush
Output polarity		DC
Assured operating distance	s_a	0 ... 1.215 mm
Output type		3-wire

Nominal ratings

Operating voltage	U_B	10 ... 30 V
Switching frequency	f	1000 Hz
Hysteresis	H	typ. 5%
Reverse polarity protection		reverse polarity protected
Short-circuit protection		pulsing

Release date: 2022-06-21 | Date of issue: 2022-06-21 | Filename: 086589_eng.pdf

Refer to "General Notes Relating to Pepperl+Fuchs Product Information".

Pepperl+Fuchs Group
www.pepperl-fuchs.com

USA: +1 330 486 0001
fa-info@us.pepperl-fuchs.com

Germany: +49 621 776 1111
fa-info@de.pepperl-fuchs.com

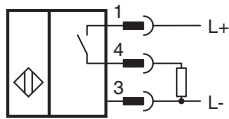
Singapore: +65 6779 9091
fa-info@sg.pepperl-fuchs.com

PF PEPPERL+FUCHS

Technical Data

Voltage drop	U_d	$\leq 3 \text{ V}$
Operating current	I_L	0 ... 200 mA
No-load supply current	I_0	$\leq 15 \text{ mA}$
Switching state indicator		LED, red
Compliance with standards and directives		
Standard conformity		
Standards		EN 60947-5-2:2007 EN 60947-5-2/A1:2012 IEC 60947-5-2:2007 IEC 60947-5-2 AMD 1:2012
Approvals and certificates		
UL approval		cULus Listed, General Purpose
CSA approval		cCSAus Listed, General Purpose
Ambient conditions		
Ambient temperature		-25 ... 70 °C (-13 ... 158 °F)
Mechanical specifications		
Connection type		Connector plug M8 x 1 , 3-pin
Housing material		Polyamide (PA)
Degree of protection		IP67
Note		Use a stop screw combined with a model -F2 sensor from Pepperl+Fuchs GmbH. The maximum actuation speed of the control slide is 0.1 m/s

Connection



Connection Assignment



Wire colors in accordance with EN 60947-5-2

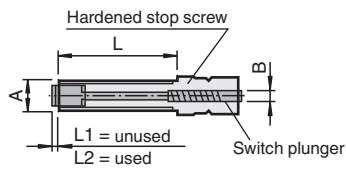
1	BN	(brown)
3	BU	(blue)
4	BK	(black)

Additional Information

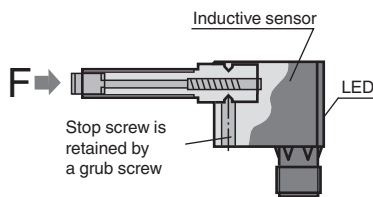
The inductive proximity sensor with plug-in acknowledgement elements is designed for applications where the simple installation of an adjustable mechanical stop with electronic acknowledgement is required.

Heavy duty fine threaded stop screws serve as finely adjustable end stops. The state of the acknowledgement element is indicated by the built-in LED on the proximity sensor.

Accessories:
Stop screws (Acknowledgement elements)



Type Coding	A	B	L	L1	L2	Load F max.
AS 08/15	M 8 x 1	6	15	3.5	2	2 000 N
AS 08/40	M 8 x 1	6	40	3.5	2	2 000 N
AS 10/50	M 10 x 1	7	50	2.5	1	9 500 N
AS 12/60	M 12 x 1	9	60	2	0.5	20 500 N
AS 12/80	M 12 x 1	9	80	2	0.5	20 500 N



Accessories

	AS 12/60	Stop screw for series F2 sensors
	AS 12/80	Stop screw for series F2 sensors
	AS 10/50	Stop screw for series F2 sensors
	AS 08/40	Stop screw for series F2 sensors
	V3-WM-2M-PUR	Female cordset single-ended M8 angled A-coded, 3-pin, PUR cable grey
	AS 08/15	Stop screw for series F2 sensors

Release date: 2022-06-21 Date of issue: 2022-06-21 Filename: 086589_eng.pdf